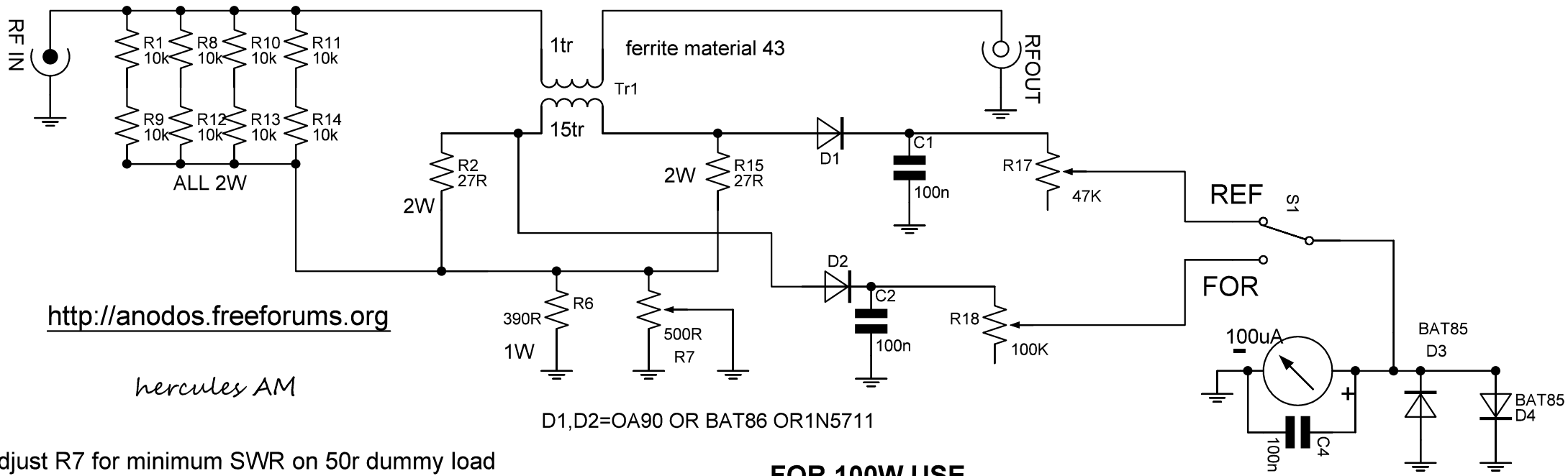


1KW SWR BRIDGE medium wave



<http://anodos.freeforums.org>

hercules AM

D1,D2=OA90 OR BAT86 OR 1N5711

FOR 100W USE

The secondary of Tr1 can be 10tr for better results

Adjust R7 for minimum SWR on 50r dummy load
Then measure the resistance of trimmer and replace
with a resistor 1W